



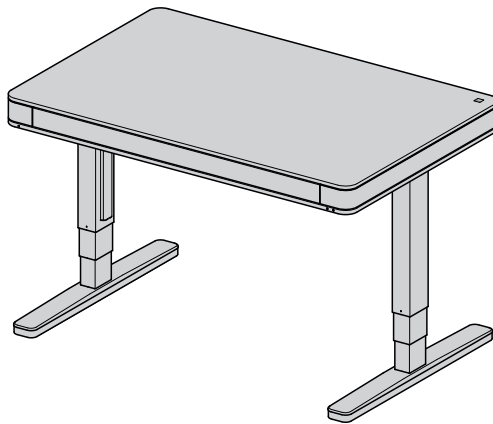
T8 M / T8 L

Electrically adjustable desk
for the living area

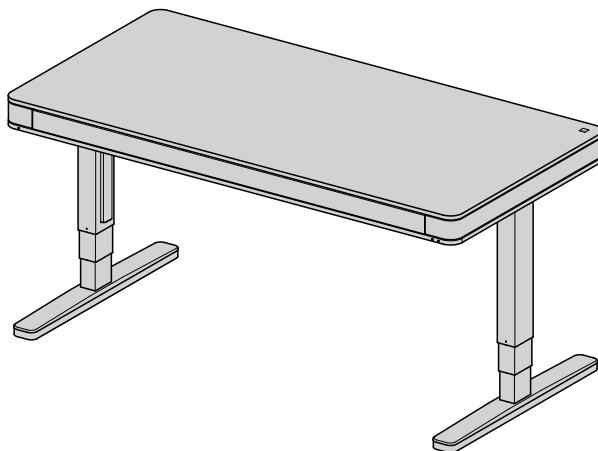
Operating Manual
with Safety Instructions
and EC Declaration of Conformity

GB 02.2023

T8 M



T8 L



Contents

General information	1
Safety instructions	4-6
Scope of delivery	8-9
Placing the desk	10
Levelling the desk	11
Moving the desk	12
Performing a reset	13
Routing cable in the cable duct	14-15
Locking height adjustment	16-17
Raising the desk top	18
Lowering the desk top	19
Enabling single-hand operation	20
Container-stop / Shelf-stop positions	21
Recommendations on ergonomic adjustment	22
Opening / Closing the drawer	23
Power-Management	24-25
Cable feedthrough	26-27
Accessories	28-31
FAQ	32
Technical data	33
EC Declaration of Conformity	34

General information

This desk is intended for use in private living areas as writing and working table. The height adjustment enables working both sitting and standing. Recommendations on ergonomic adjustments can be found on page 22.

Please keep these operating instructions in a safe place for future reference! It is part of the product and must be handed over when the desk is passed on (important safety instructions).

The desk is delivered assembled. No further assembly is necessary. Before commissioning, follow the instructions in this operating manual.

Furniture should generally be stored in a climate-controlled environment, otherwise it may suffer from heat, cold or high humidity. Temperature fluctuations can cause furniture to deform and thus be damaged. We recommend storage at a constant humidity of 50 to 60%. When air conditioning is switched off, high humidity can cause condensation, which can stain wooden parts and damage painted surfaces.

Furniture parts made of solid wood or with real wood surfaces react to light irradiation, temperature and humidity fluctuations. In order to enjoy your piece of furniture for a long time, do not position it too close to heaters and fireplaces or place it in cold or damp places. Quickly remove spills with a cloth and rub the surface dry. To prevent irregular color changes in the surface, protect your furniture from sunlight and move decorations and objects on the table frequently. The color variations of the wood are a typical characteristic of the grown natural raw material as well as an essential authenticity feature. They do not represent a reason for complaint.



Safety instructions

Please read the operating instructions thoroughly before commissioning the desk!

Caution:

The sit-stand desk may be used only for its intended use as a writing and working table for the living area.

Danger:

Beware of moving parts! There is a risk of crushing when changing the table height! Make sure that there are no people, pets or objects in the danger area and that no one reaches into the hazardous area.

Danger:

Children must not play with the device! Cleaning and user maintenance shall not be carried out by children without supervision. Do not leave children under the age of 4 unattended with this piece of furniture.

Note:

The electric height adjustment can be locked with the key switch. Unauthorized or unintentional use (e.g. by children) can thus be reliably prevented. (see p.16)

Danger:

Do not allow children under the age of 8 to operate this desk. This unit can be used by children aged 8 years and above and by persons with reduced physical, sensory, or mental capabilities, or lack of experience and knowledge, if they are supervised or have been instructed in the safe use of the unit and understand the hazards involved.



Safety instructions

Caution:

This sit-stand desk is not designed for continuous operation. The desk top height can be adjusted without interruption for no longer than the operating time indicated in this manual (1 min on / 9 min off).

Caution:

This unit may only be operated with a mains voltage of 220-230 V / 50-60 Hz.

Danger:

Be sure to use the supplied power supply cable! Make sure that the power supply cable is not damaged. Operating the table with a damaged power supply cable is prohibited! If the power supply cable of this device is damaged, it must be replaced by the manufacturer or its customer service or a similarly qualified person in order to avoid a hazard.

Danger:

If the sit-stand table is visibly damaged, unusual noises occur or an odour develops, it must not be further assembled or used!

Warning:

Disconnect this piece of furniture from the power supply before moving, cleaning or dismantling it. This piece of furniture does not contain any user-serviceable parts. Contact your supplier in the event of a malfunction.



Safety instructions

Danger:

Using this table is only permitted in dry rooms. Protect the desk frame and in particular all electrical components of the desk from moisture, dripping or splashing water!

Danger:

Do not open the motor control unit under any circumstances. There is a danger of electric shock. Electrical equipment may only be opened or replaced by trained and qualified personnel.

Please keep this operating manual for future reference!

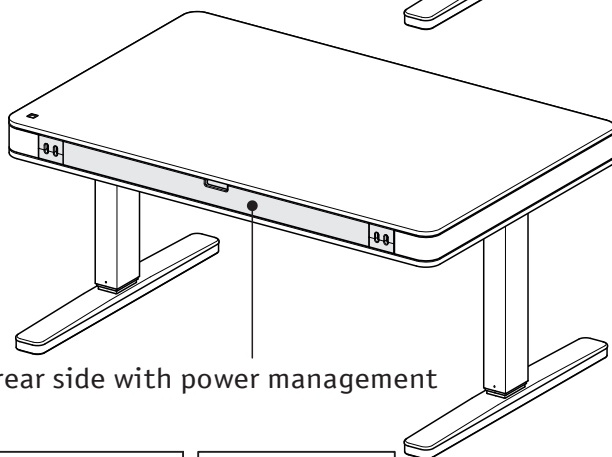
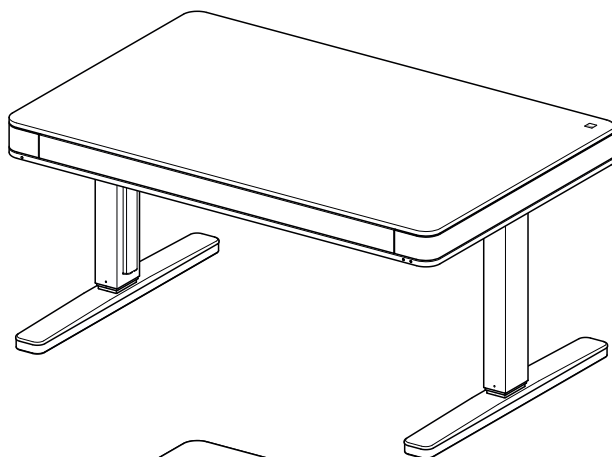
It is a part of the desk and contains important safety information. When the table is sold, rented out or otherwise passed on to another party, it must be handed over with this operating manual.



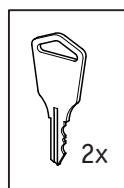
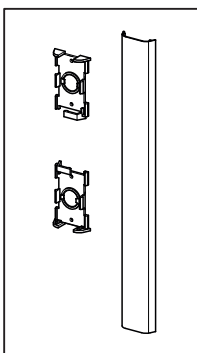
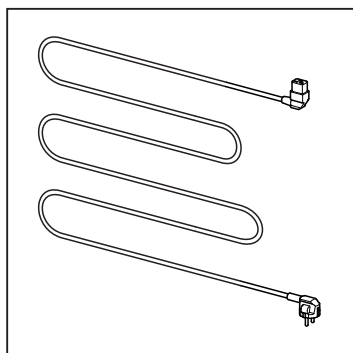
Scope of delivery

T8 M

Please check for completeness

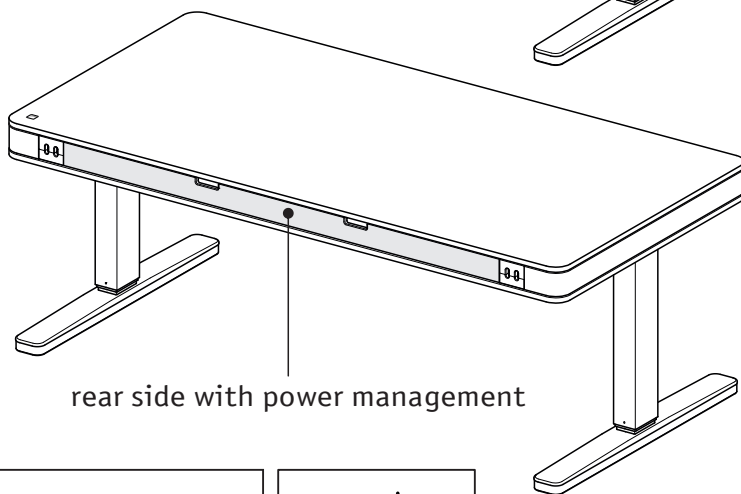
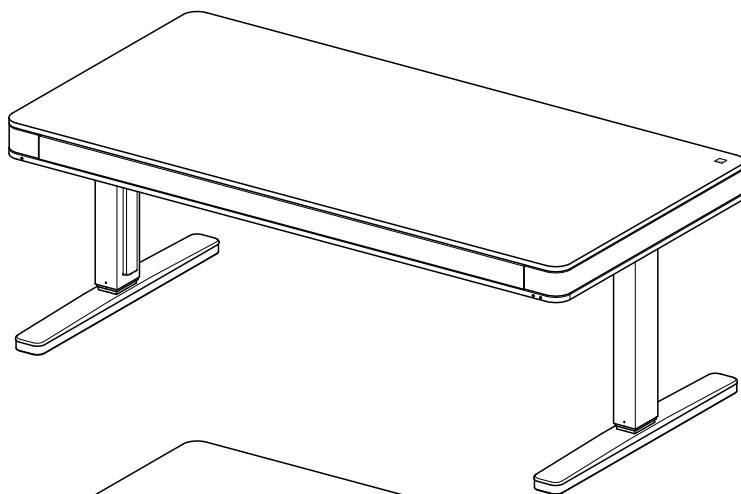


rear side with power management

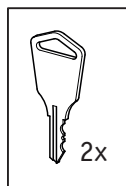
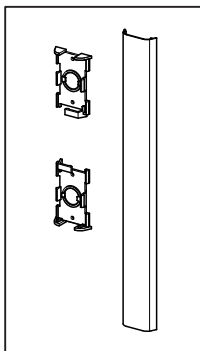
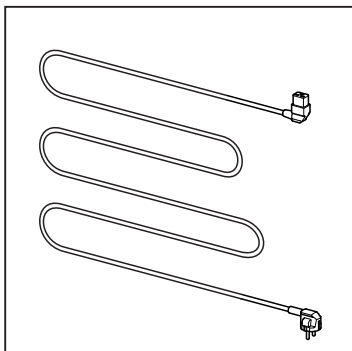


T8 L

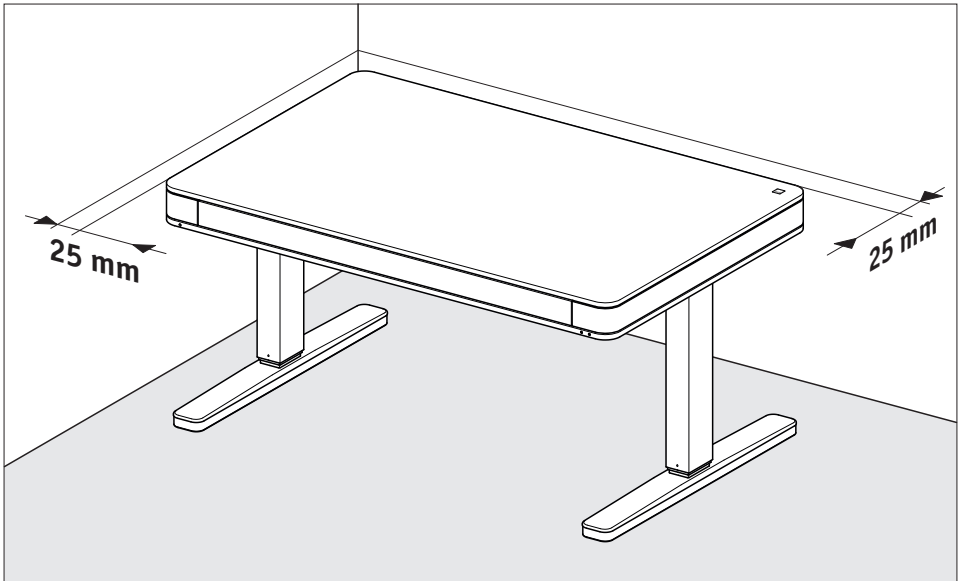
Please check for completeness



rear side with power management



Placing the desk



Safety advice



To avoid crushing or shearing hazards, the desk with its moving parts must keep a minimum distance of 25 mm to adjacent objects such as furniture, building parts etc.

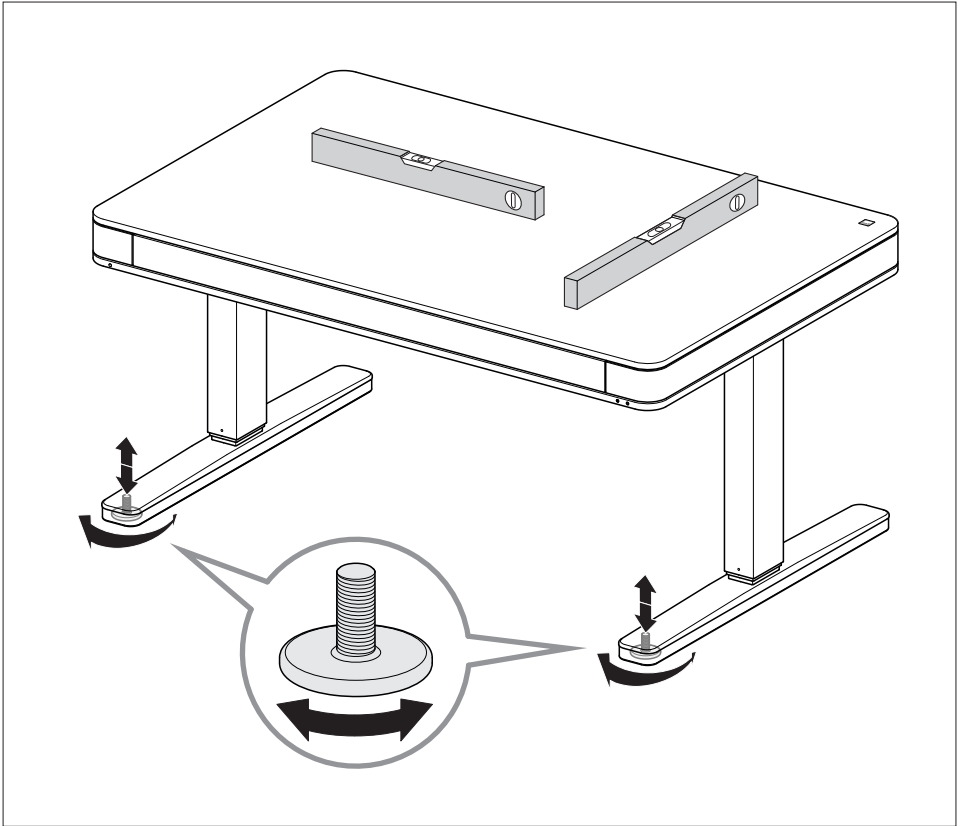
When adjusting the desk top height, the user must make sure that nobody can be injured and no objects can get damaged. The desk must not collide with fixed objects, because it otherwise may tip over!

Before adjusting the desk top height, please move away chairs, containers etc. to avoid possible collisions.

Solid objects are usually detected by the optional collision protection, but the danger of crushing for persons still exists! The collision protection protects the system, NOT persons!



Levelling the desk

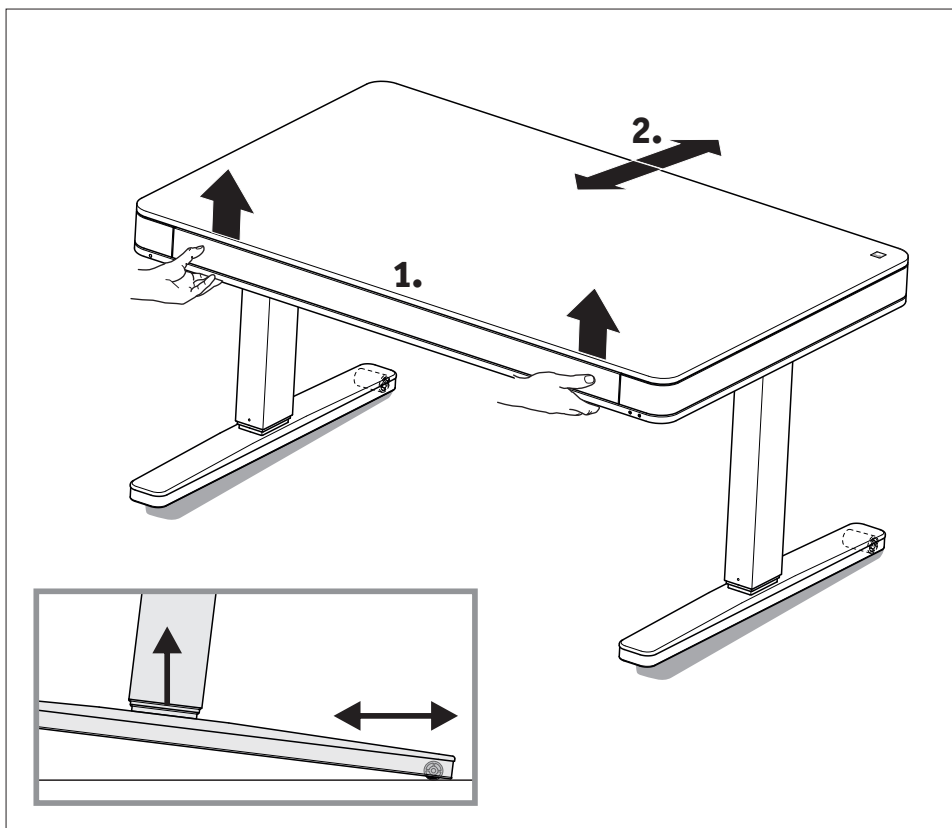


Note

The desk must be aligned horizontally with the adjustment plates. Thus, the best stability is achieved.



Moving the desk



Note

To move the desk, simply raise the front. Now it can be easily moved back and forth on the integrated castors.



Important! Before putting the table into operation, it is essential that you perform a reset:

Press the "DOWN" button (see p. 19) and the "Safety" button (left side of the table) until the table has reached its lowest position. Then release both buttons. Press both buttons again and keep them pressed (approx. 5 seconds) until the table has made a slight movement downwards and upwards again. Do not release the buttons until the table has stopped moving. If the keys are released too early, this will lead to a table malfunction. In this case the process must be repeated.

Note:

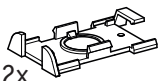
If a shelf stop and / or a container stop position has been programmed, it remains stored even after a reset and must be deactivated manually (see page 21)

Danger:

The collision protection is not active during the reset process. Be aware of the potential risk of crushing.

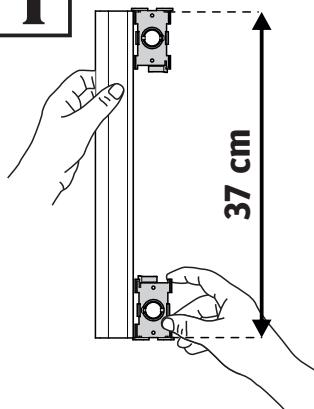


Routing cables in the cable duct



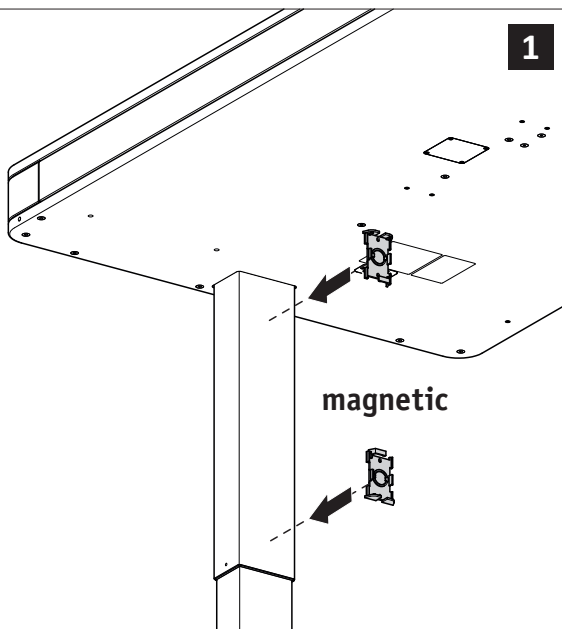
2x

i



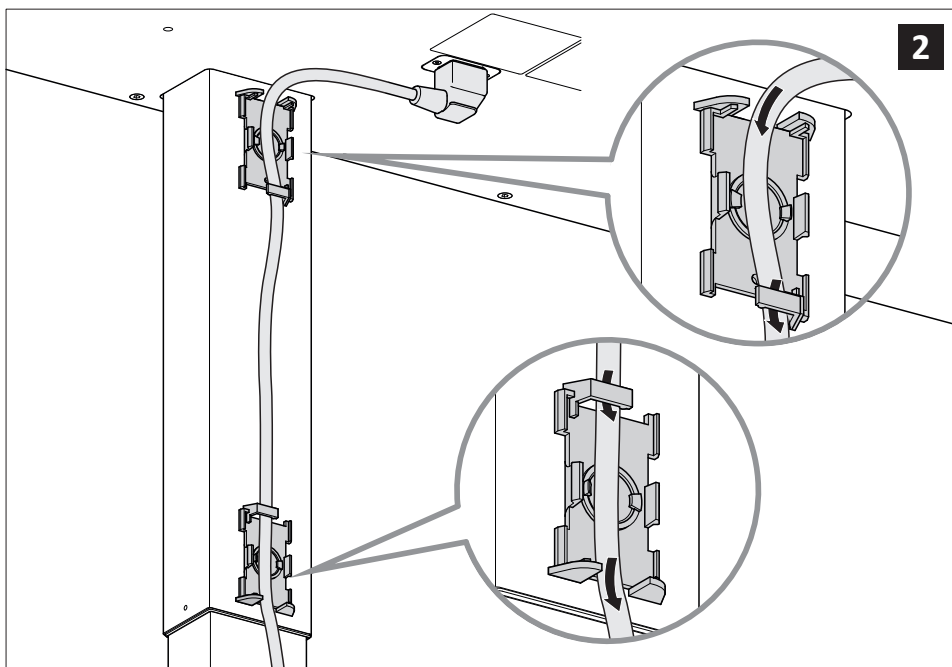
37 cm

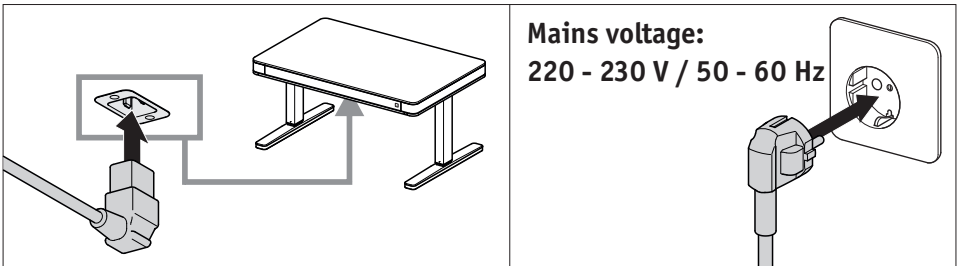
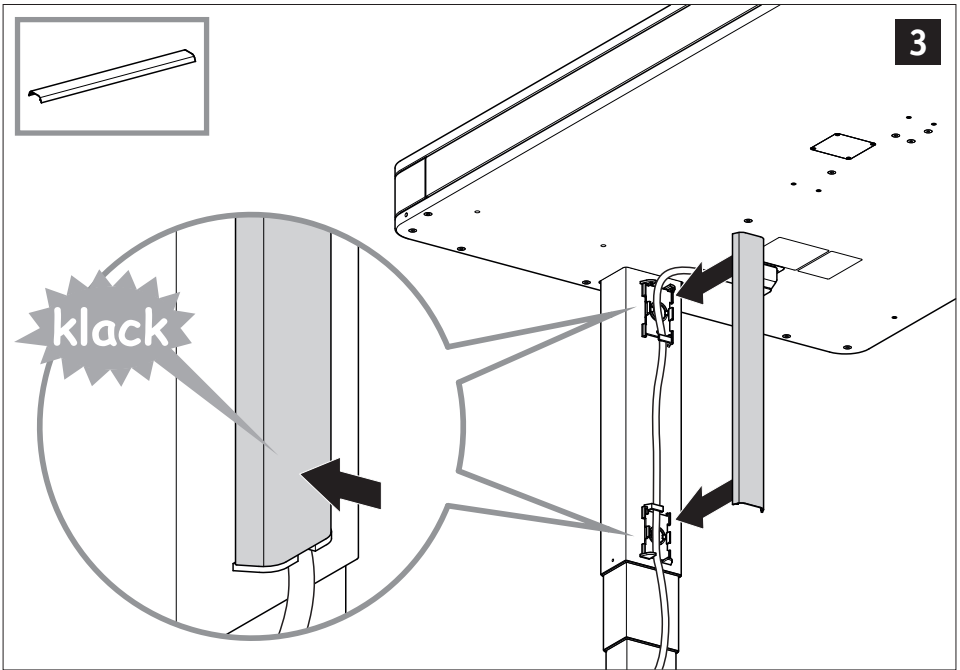
1



magnetic

2





Caution



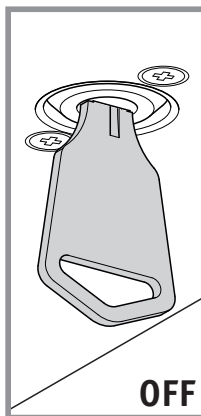
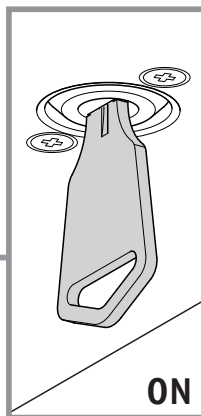
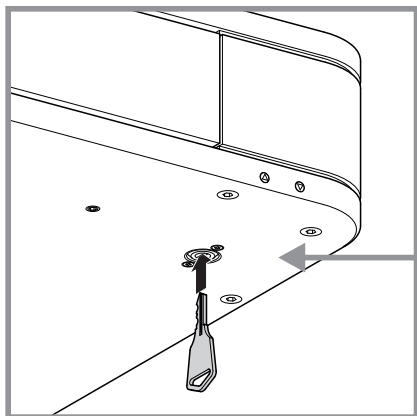
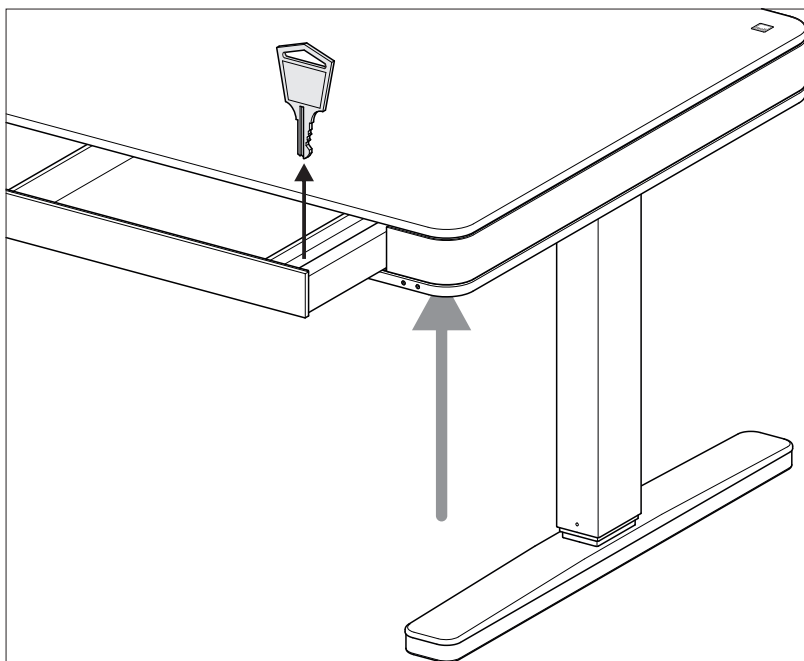
Make sure that the cable length is also sufficient when the desk is in the top position. Route the cable so that no one is likely to trip over it.

Danger!

Should the power cord become damaged, unplug the desk immediately!



Locking the height adjustment



Note

The key switch protects against unauthorized height adjustment of the desk. When the key is removed in the „off“ position, the desk can not be adjusted accidentally or on purpose.

Caution



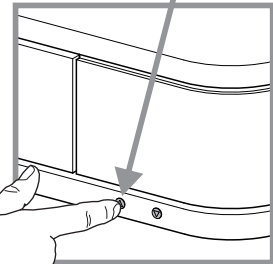
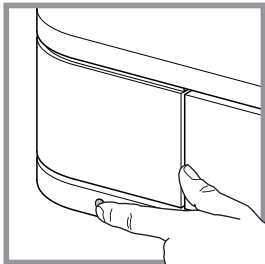
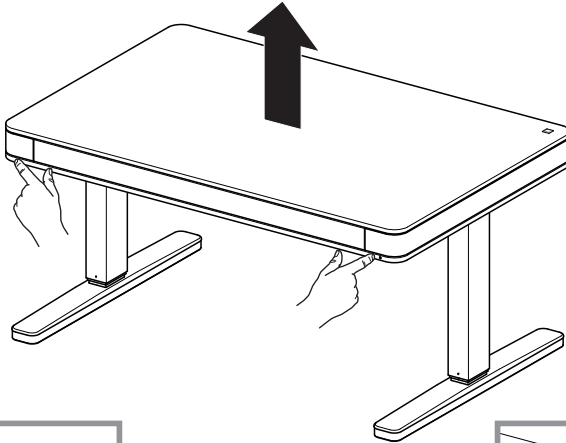
Remove key during use. Please do not leave the key in the lock - risk of injury!



Raising the desk



When adjusting the desk top height, please make sure that the table movement will not get blocked (e.g. by window sills, chair armrests, file cabinets etc.) and that no persons are located in the hazardous area or will reach into it.

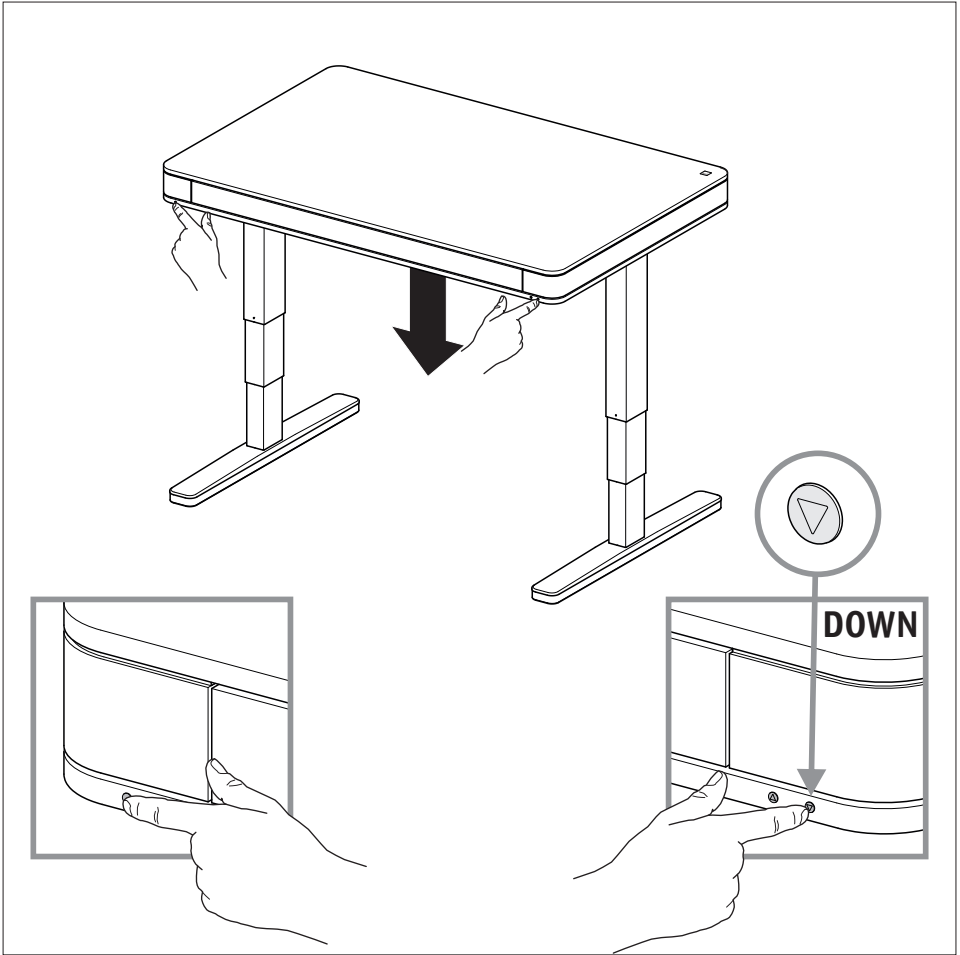


Note

As delivered, the desk's height adjustment requires two-hand operation for safety reasons. The button on the left side of the table and the "UP" or "DOWN" button must be pressed simultaneously while the lock switch is in the "ON" position (see page 16). The two-hand operation can be switched off permanently, this allows desk operation without actuating the left button (see page 20).



Lowering the desk



Note

Recommendations on ergonomic height adjustment can be found on page 22.

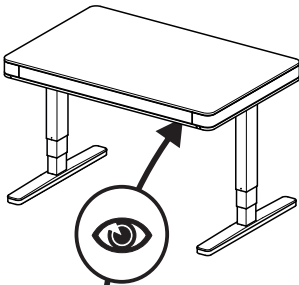
Maximum operation time: After **1 minute** of continuous operation, the control unit is automatically disabled for the next **9 minutes!**

The operation duration is automatically limited to this period. This prevents the desk drive from overheating.



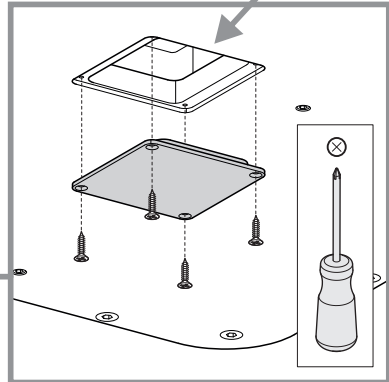
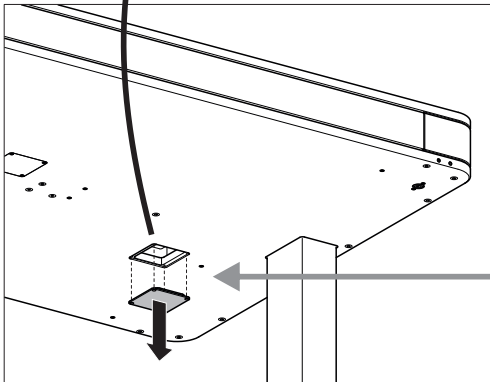
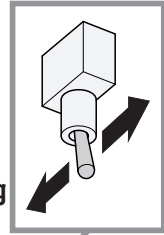
Enabling single-handed operation

The table can be permanently set to single-hand operation so it can be adjusted using the "UP" and "DOWN" keys without pressing the left button. **Please disconnect the mains plug from the socket before changing this setting!** Remove the plastic cover on the right bottom side of the desk (4 screws, see picture) to get access to the toggle switch.



Toggle switch towards the front of the desk = **Two-hand operating**

Toggle switch towards the back of the desk = **Single-hand operating**



Reinstall the plastic cover and connect the desk to mains.

Important safety note



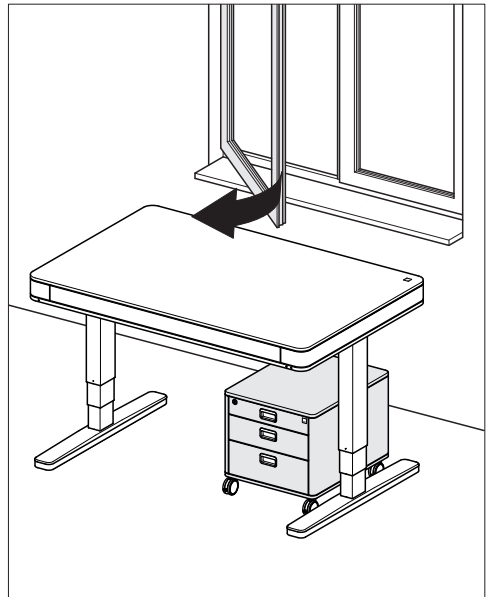
The two-hand operation is a safety feature of the desk! The conversion to single-handed operation is at the user's own responsibility!



Container-stop / Shelf-stop positions

Container-stop and shelf-stop position

These two functions can be used to limit the range of movement of the sit-stand desk (e.g. if a file cabinet is located under the sit-stand table). A container-stop position can be set only in the lower half of the movement range, a shelf-stop position only in the upper half of the movement range. If a container stop position is set, it is used as the lower end position, while a shelf-stop position corresponds to the upper end position of the movement range.



To **activate** a container- or shelf-stop position, follow these steps:

1. Move the sit-stand desk to the position that you want to define as a new container- or shelf-stop position.
2. Press the button on the left side and the UP and DOWN buttons simultaneously for **10 seconds**. The control unit confirms the successful activation with a **double-click** sound.

To **deactivate** a container- or shelf-stop position, follow these steps:

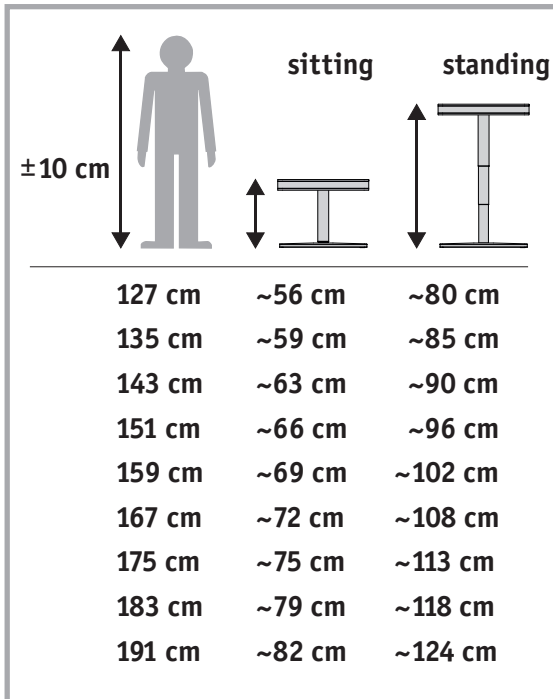
1. Move the sit-stand desk to any position in the lower half of the movement range to deactivate the container-stop, or in the upper half of the movement range for the shelf-stop position.
2. Press the button on the left side and the UP and DOWN buttons simultaneously for **10 seconds**. The control unit confirms the deactivation with a **single click** sound.

These steps must be carried out separately for the container stop position and for the shelf stop position!

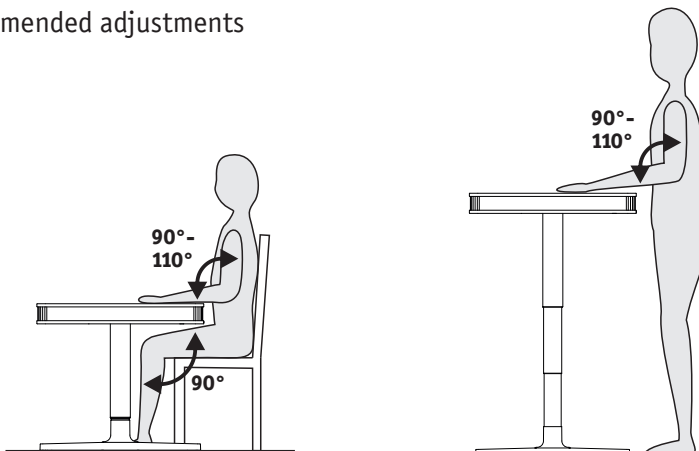


Recommendations on ergonomic adjustment

The desktop height is continuously adjustable from 56 cm to 118 cm (with height adapter from 66 cm to 128 cm - see page 31)

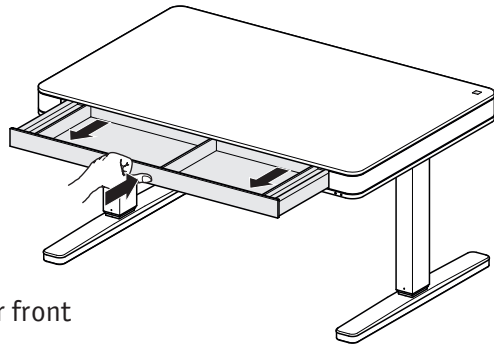


Recommended adjustments



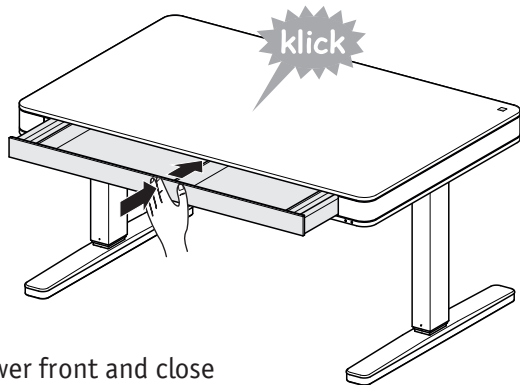
Opening / closing the drawer

Opening the drawer

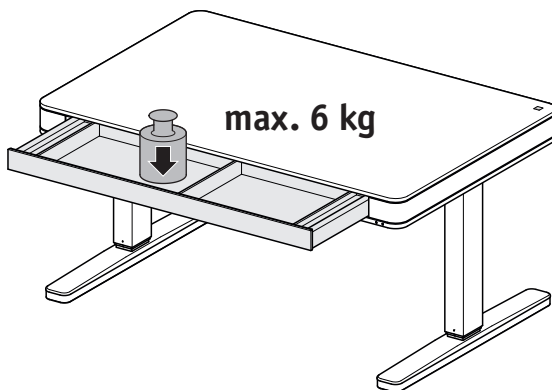


press the center of the drawer front
and the drawer opens

Closing the drawer

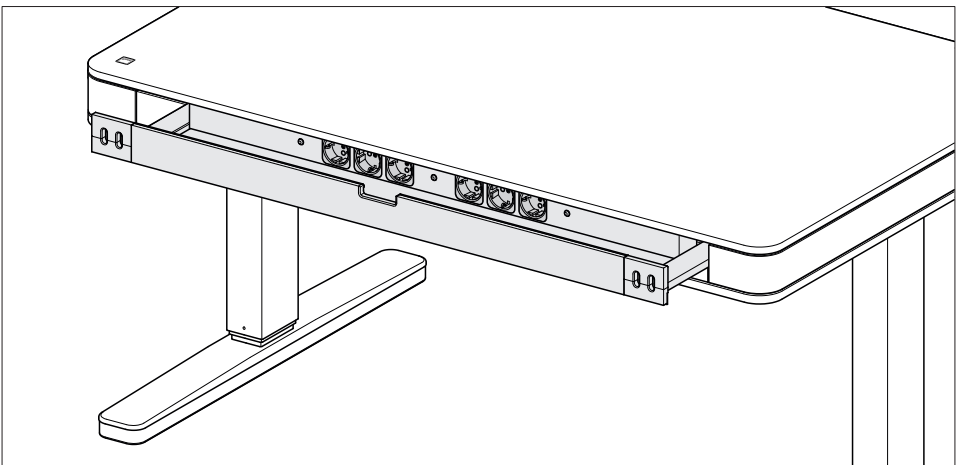
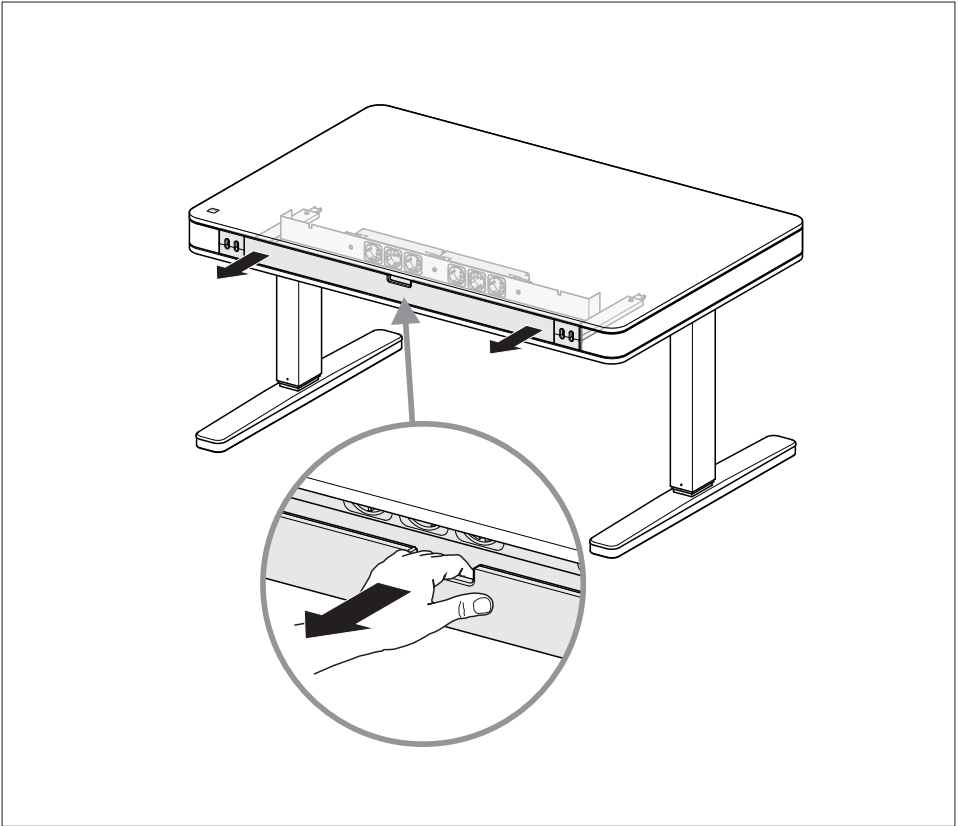


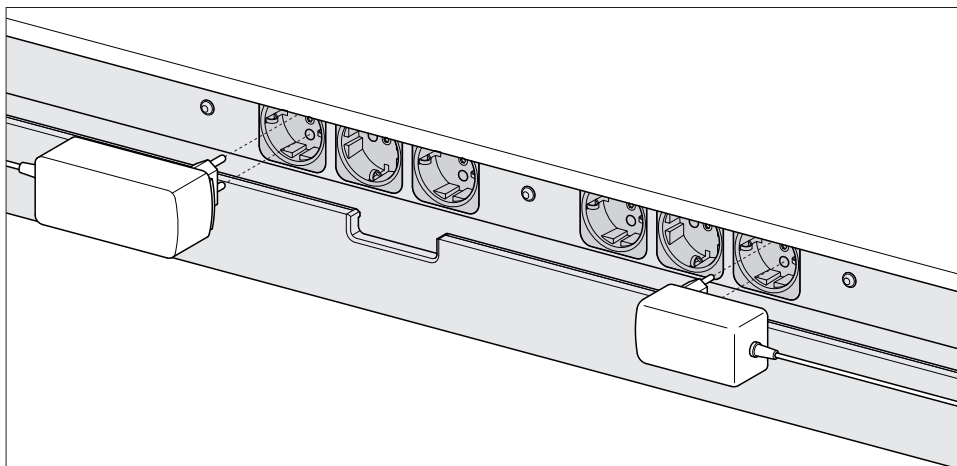
press the center of the drawer front and close
the drawer until it engages with a clicking sound



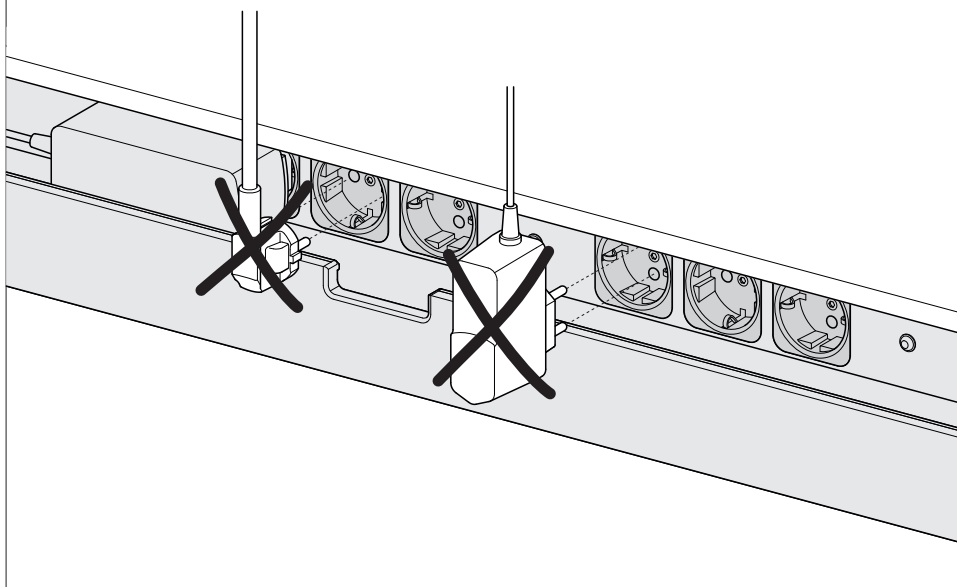
Power-Management

with integrated power outlets

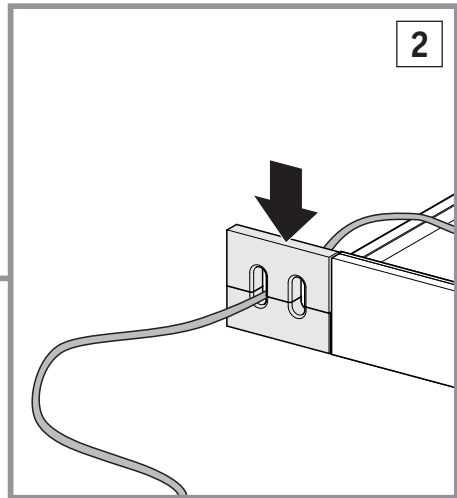
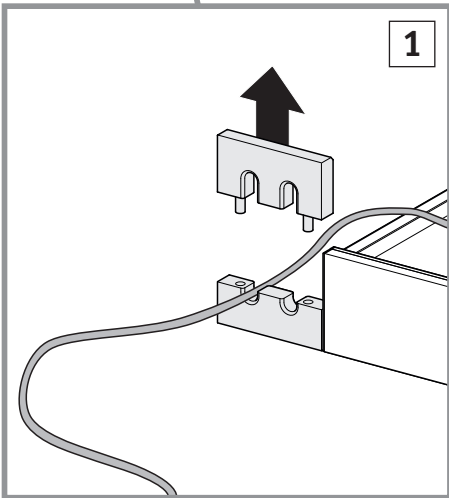
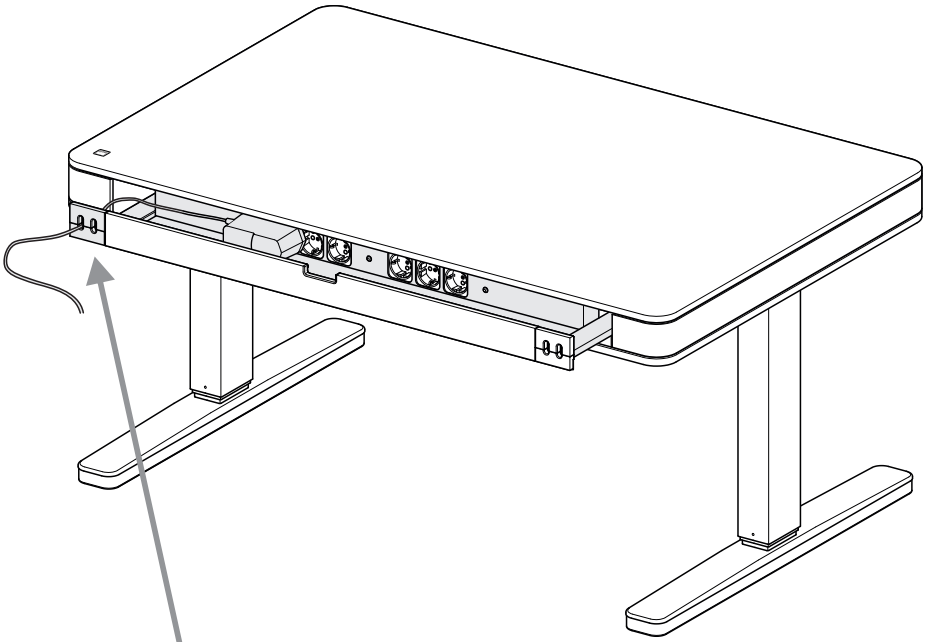




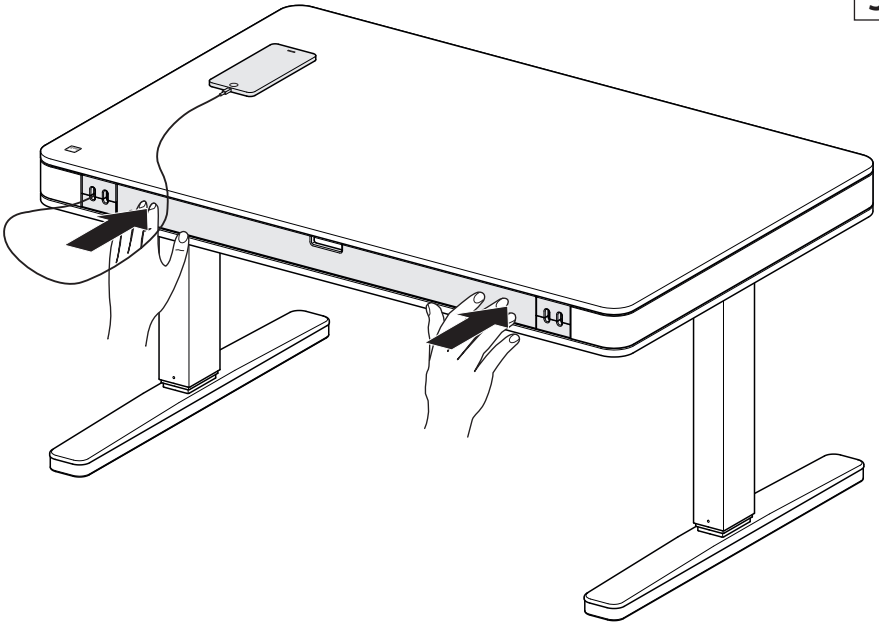
Please make sure that you plug in the connectors and power supplies so that they are not damaged and that no wires get pinched when the drawer is closed.



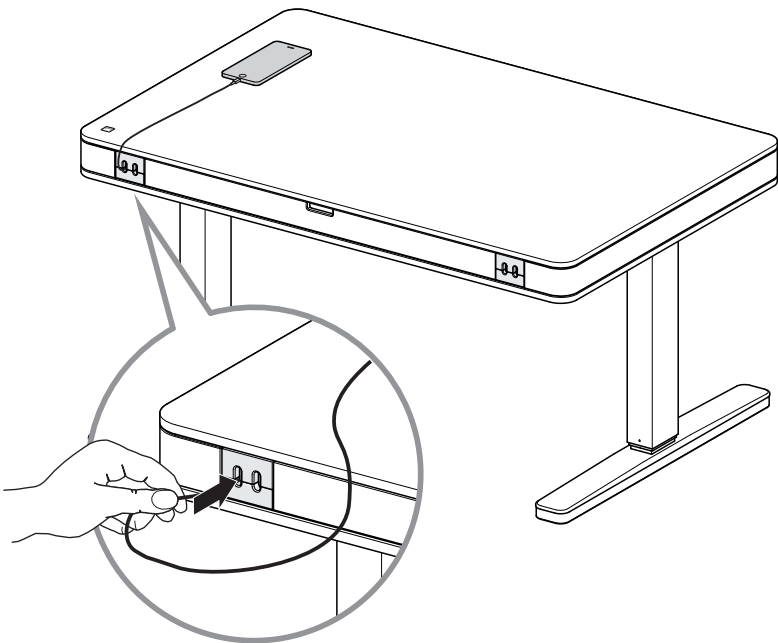
Cable feedthrough



3



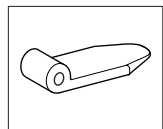
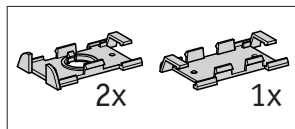
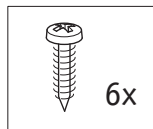
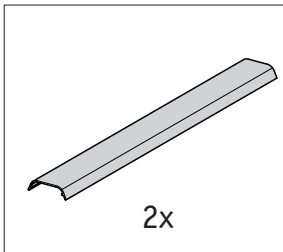
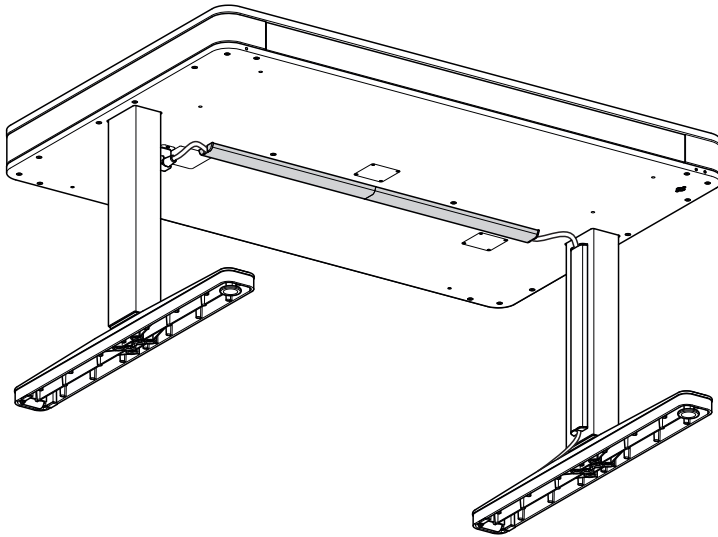
4



Accessories

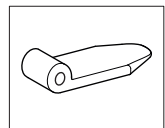
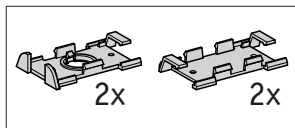
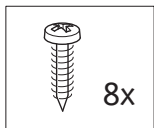
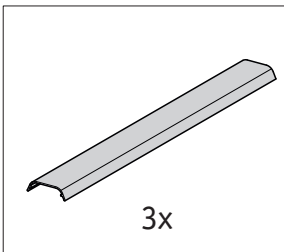
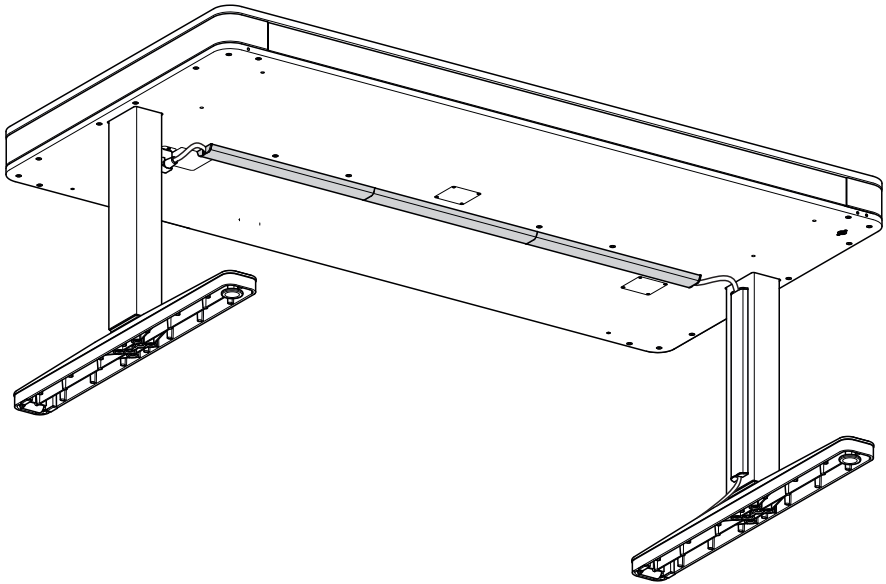
Cable duct underneath the desk top

T8 M



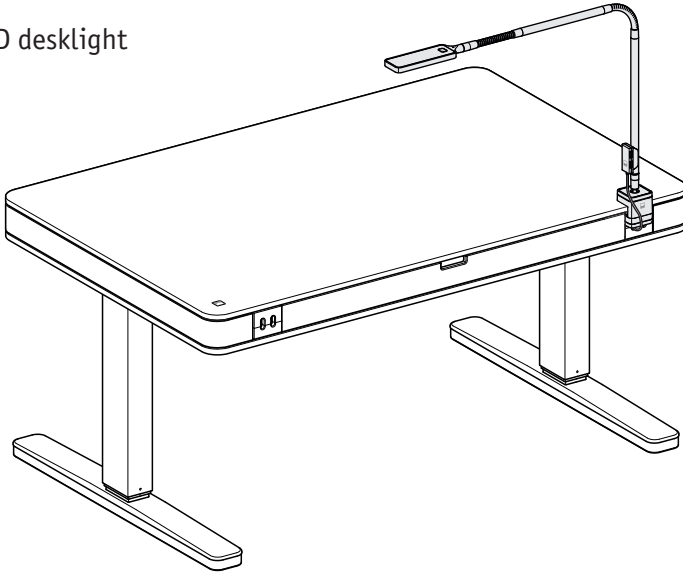
Cable duct underneath the desk top

T8 L

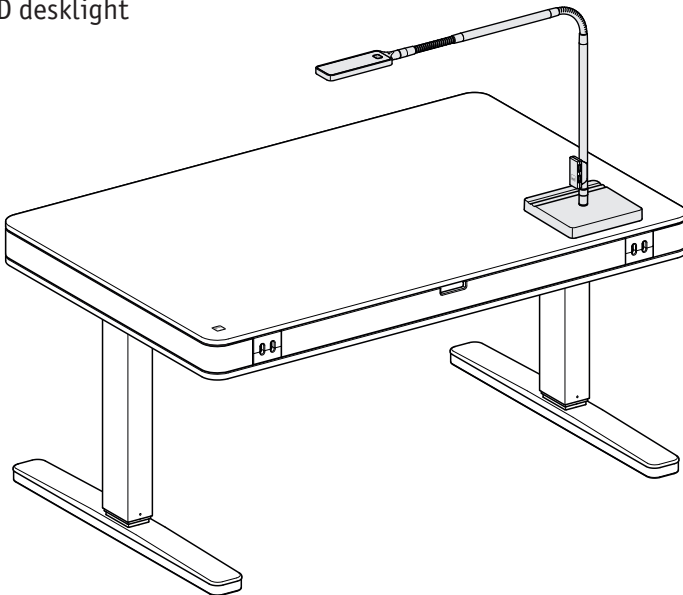


Accessories

Flexlight
flexible LED desklight



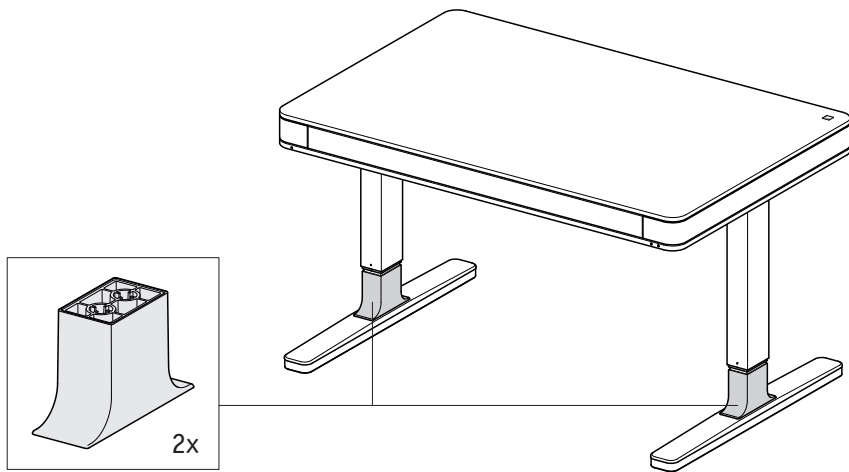
L7
flexible LED desklight



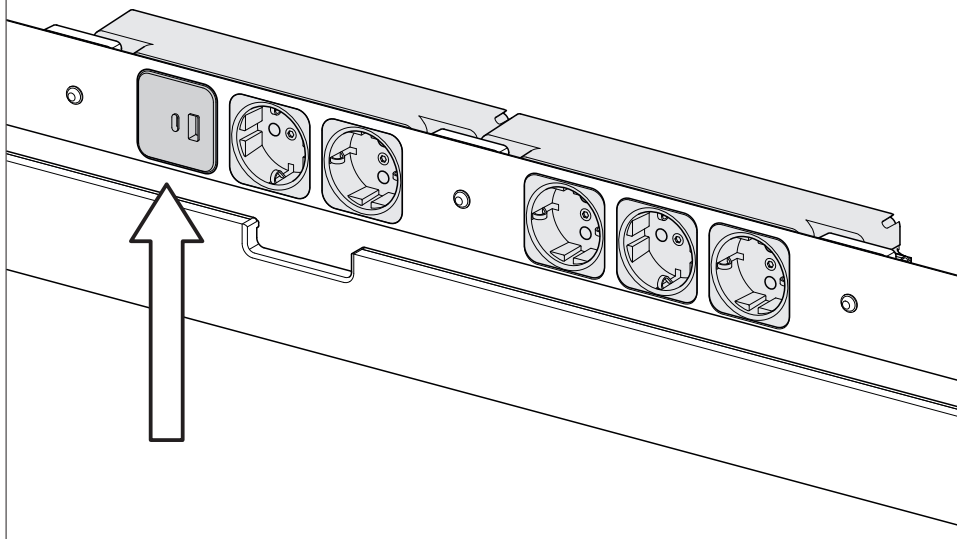
Accessories

Height adapter to increase the desk top height by 10 cm

The desk top height with this adaptor is adjustable from 66 cm to 128 cm



USB - Typ A and USB - Typ C



The height cannot be adjusted:

- Is the connection cable correctly plugged into the desk and does the socket have electrical power?
- Is the key switch in the correct position (see page 16)?
- Has the maximum switch-on time been exceeded (see page 19)?

The desk only moves up slowly:

- Maximum lifting force has been exceeded, reduce the weight. (see page 33)

The desk only moves downwards with reduced speed:

- The desk is in fault mode and needs a reset (see page 13)

The desk stops moving up or down before it has reached the top or bottom height:

- Is the "Container-stop / Shelf-stop" function activated (see page 21)?

The desk stops during raising or lowering and travels a short distance in the opposite direction:

- The desk has bumped against an obstacle and the collision protection has been triggered. Eliminate the cause of the collision!

Reset of the desk:

Before putting the table into operation, if it has been disconnected from the power supply for a longer period or if there is a malfunction on the table, the control unit of the table must be initialized. Please perform a reset (see page 13)

Cleaning and care:

For regular cleaning of the table surface, we recommend a damp cloth and a mild household cleaner.

Please do not use any scouring agents!

Technical data

Desktop size (corpus) T8 M: 115 x 75 x 9 cm

Desktop size (corpus) T8 L: 150 x 75 x 9 cm

Desk height (continuously adjustable):

without adaptor 56 - 118 cm

with adaptor (optional) 66 - 128 cm

Drawer internal dimensions:

T8 M: W 44,0 / D 30 / H 4 cm

W 35,5 / D 30 / H 4 cm

T8 L: W 44,0 / D 30 / H 4 cm (2x)

W 12,5 / D 30 / H 4 cm (2x)

Max. loading capacity drawer: 6 kg

Max. loading capacity T8 M / T8 L: 50 kg

Lifting speed: 38 mm / s

Noiselevel: < 60 dB(A)

Furniture should generally be stored in a climate-controlled environment, otherwise it may suffer from heat, cold or high humidity. Temperature fluctuations can cause furniture to deform and thus be damaged.

We recommend storage at a constant humidity of 50 to 60%. When air conditioning is switched off high humidity can cause condensation, which can stain wooden parts and damage painted surfaces.

Protection class I

IP class IP 20

Max. duty cycle: 10% (1 min. on / 9 min. off)

Nominal voltage: 220 - 230 V / 50 - 60 Hz

Drive / control 288 W

Power-Management, total maximum load:

IEC Typ »F«: max. 3200 W

IEC Typ »E«: max. 3200 W

IEC Typ »G«: max. 2600 W

IEC Typ »I«: max. 2000 W

IEC Typ »J«: max. 2000 W

IEC Typ »B«: max. 2000 W

Disposal:

The product must not be disposed of in normal household waste.

(EC Directive 2002/96/EC).

For information on environmentally friendly disposal, please contact your local waste management company or local authority.



WEEE-Reg.-Nr.
DE 78284755



Please keep these operating instructions in a safe place for future reference!

It is part of the product and must be handed over when the desk is passed on (important safety instructions).



moll Funktionsmöbel GmbH
Rechbergstraße 7
D 73344 Gruibingen

info@moll.world
www.moll.world

